

Active IR Smart Pen P2R-UTA

Specification

KOGA TOUCH CO., LTD

Version	V1.0.0	File No.	RD201002	Active IR Smart Pen P2R-UTA Spec.
Classification	Confidential	Department	R&D	

Revision Record				
Version	Date	Designed By	Content	Remark
V1.0.0	2020-01-22	Shuo Jiang	First Edition	

Version	V1.0.0	File No.	RD201002	Active IR Smart Pen P2R-UTA Spec.
Classification	Confidential	Department	R&D	

Contents

1	Description	4
2	Packing List	4
3	Mechanical Specifications	4
3.1	Pen Dimension	4
3.2	Wireless Receiver Dimension	5
3.3	Pen Cap Dimension	5
3.4	Collected Dimension	6
3.5	Weight	6
3.6	Functions	6
4	Main Parameter	8
5	Environmental Parameter	8
6	External Appearance	9

Version	V1.0.0	File No.	RD201002	Active IR Smart Pen P2R-UTA Spec.
Classification	Confidential	Department	R&D	

1 Description

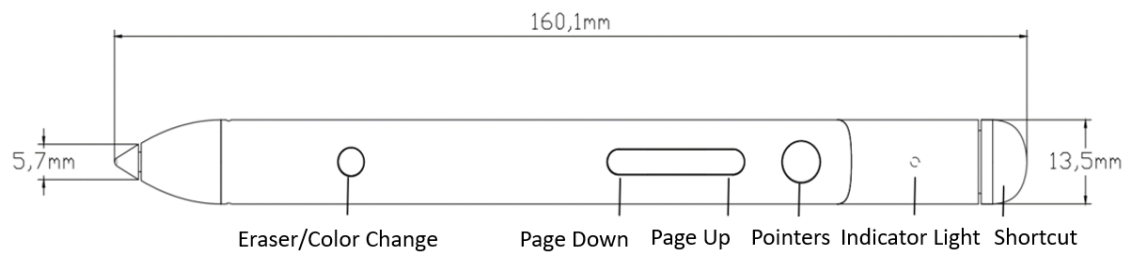
IR Pressure Sensitivity Smart Pen is designed specific for IR interactive display. 4096 levels pressure support authentic and natural writing experience, motion sensing pointers make the presentation more smooth, which could be widely used in application fields of education, training, conference, etc.

2 Packing List

	Name	Description
1.	4096 Levels Pressure IR Smart Pen	Model No. : P2R-UTA
2.	Pen Cap	/
3.	Wireless Receiver	USB HID

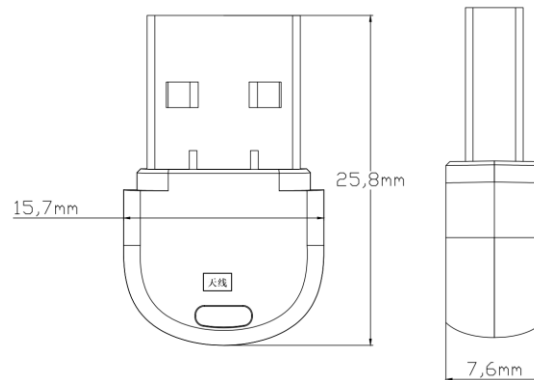
3 Mechanical Specifications

3.1 Pen Dimension



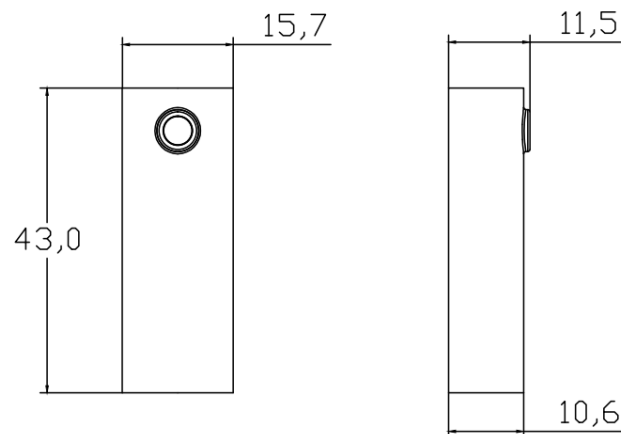
Version	V1.0.0	File No.	RD201002	Active IR Smart Pen P2R-UTA Spec.
Classification	Confidential	Department	R&D	

3.2 Wireless Receiver Dimension



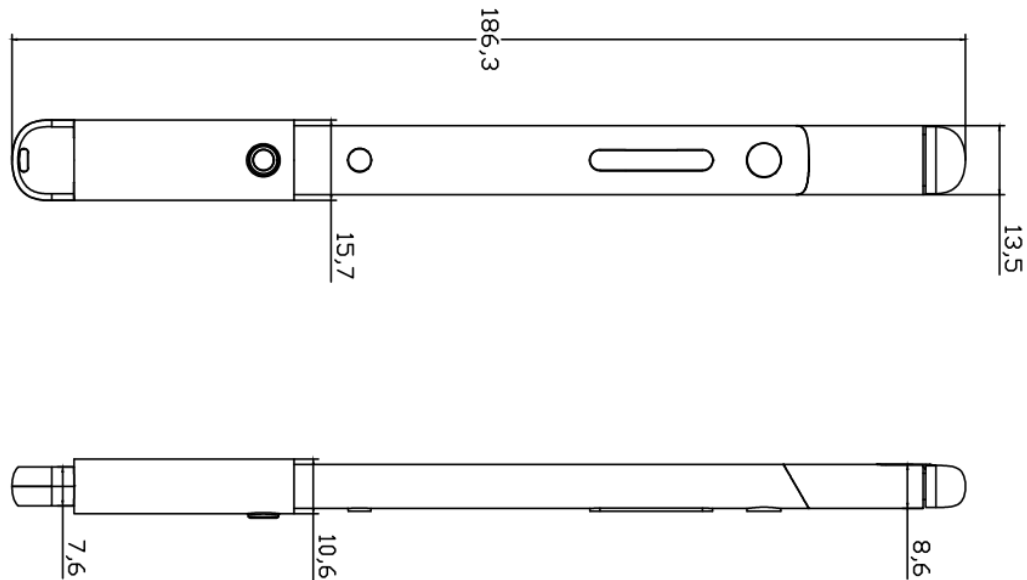
The wireless receiver could not be blocked, it is recommended to be plugged into the front USB port of the touch device.

3.3 Pen Cap Dimension



Version	V1.0.0	File No.	RD201002	Active IR Smart Pen P2R-UTA Spec.
Classification	Confidential	Department	R&D	

3.4 Collected Dimension



3.5 Weight

Pen: $20 \pm 1g$, Pen Cap + Wireless Receiver: $4g$

3.6 Functions

Items	Functions	
ON/OFF	Power ON/OFF controlled by Hall Sensor in the pen	
Shortcuts	Default Setting	Click-once: Open Inkpage
		Double-click: Snip & Sketch
		Press and hold: Back to desk or User-Defined

Version	V1.0.0	File No.	RD201002	Active IR Smart Pen P2R-UTA Spec.
Classification	Confidential	Department	R&D	

User-Defined Setting on Win10

Pointers	Hold to open Mouse, Spotlight, Magnifier or Virtual Laser Pointer			
Page	Up	Click:	Page up	
			Hold and press	Play PPT
				White screen
	User-defined			
	Down	Click:	Page down	
			Hold and press	Exit PPT play
Black screen				
User-defined				
Eraser/Color Change	Press and hold: Eraser			
	Click once: Change color (InkPage, Windows10 Office PPT, Windows10 WPS PPT Or the software support)			
Pressure Levels	4096			
Charging	USB Type-C			

Version	V1.0.0	File No.	RD201002	Active IR Smart Pen P2R-UTA Spec.
Classification	Confidential	Department	R&D	

4 Main Parameter

Items	Parameter
Pen Material	Skeleton Part: Aluminum
	Other Part:PC+ABS
	Nib: POM
Active Nib Force	<10g
Maximum Nib Force	350~400g
Power Supply	Li-on battery 120mAh/3.7V
Effective Distance	≤6m
Normal time of use after fully charged	Around 2 Weeks
USB Type-C Charging	5V/110mA
OS Supported	Windows7 SP1, Win8, Win10, Android6.0 or higher
Certificate	SRRC, CE, FCC, ROHS

5 Environmental Parameter

Items		Parameter
Temperature	Storage	-20-45°C
	Working	0-45°C
Aluminum body Salt Spray Test (24h)		GB/T10125-1997
Battery life cycle		Capacity ≥80% after 500 battery cycle life
Drop Test		Hight: 110cm, Marble Floor ↑↓←→↖↗
Button		300,000 times
Nib Abrasion Resistance Test		Decreased ≤1mm after 100,000 times Test Requirements: Ground glass (Roughness ≤1.0), Pressure 500g, Round Distance 10cm

Version	V1.0.0	File No.	RD201002	Active IR Smart Pen P2R-UTA Spec.
Classification	Confidential	Department	R&D	

6 External Appearance

